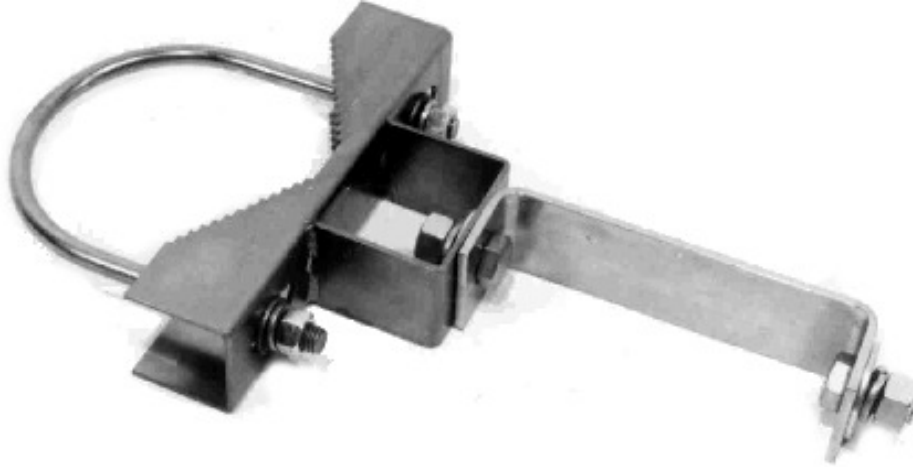
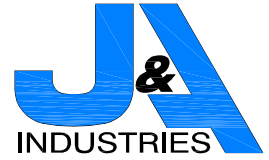


# CROSSING PARTS

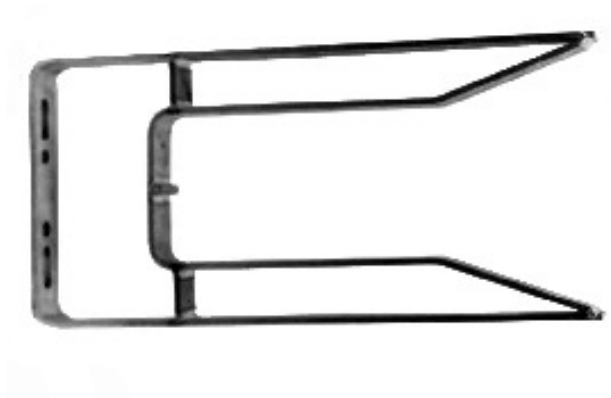
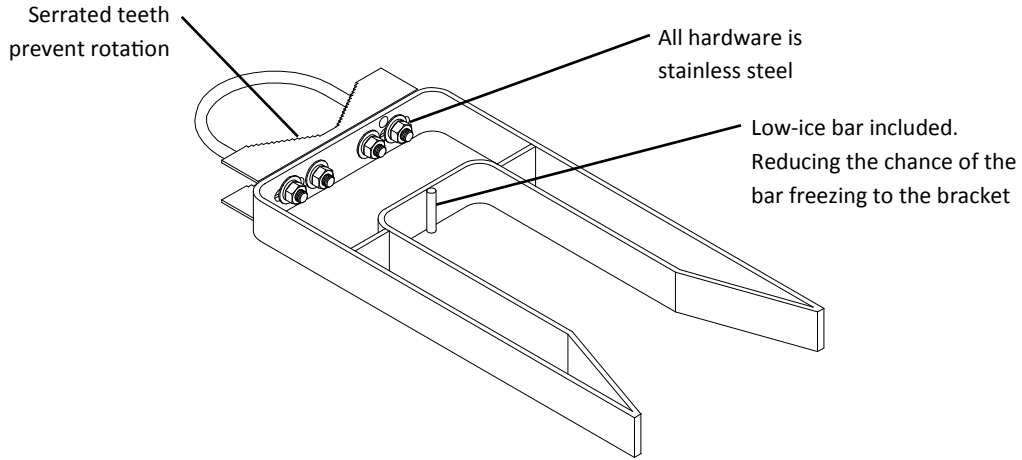
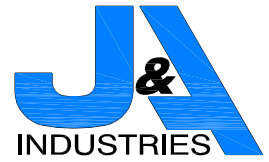
## X-BUCK MOUNTING



DESCRIPTION	MAST DIA.	OFFSET	J&A #
KIT, SERRATED X-BUCK MOUNTING (ZINC PLATED)	4	0	180041-000
		7 1/4	180041-001
		10 1/2	180041-002
		14 1/2	180041-003
	5	0	180041-100
		7 1/4	180041-101
		10 1/2	180041-102
		14 1/2	180041-103
KIT, SERRATED X-BUCK MOUNTING (STAINLESS STEEL)	4	0	180042-000
		7 1/4	180042-001
		10 1/2	180042-002
		14 1/2	180042-003
	5	0	180042-100
		7 1/4	180042-101
		10 1/2	180042-102
		14 1/2	180042-103

# CROSSING PARTS

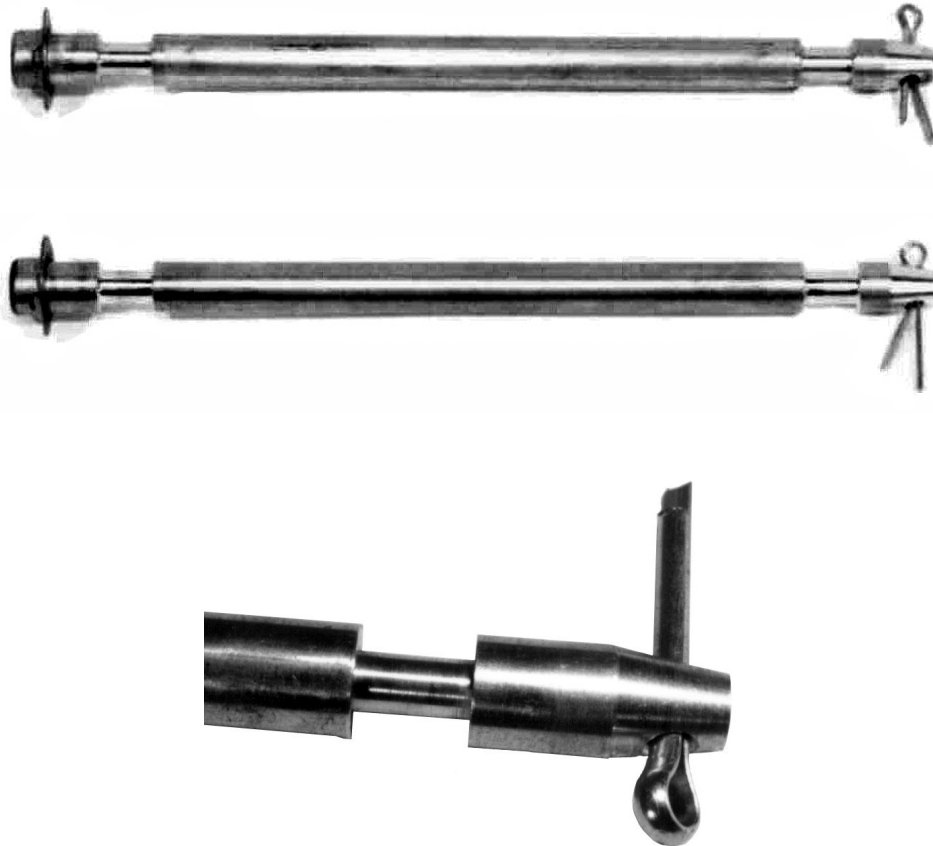
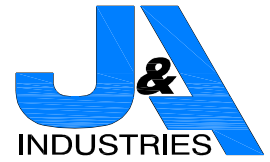
## HI-WIND BRACKET



MAST	U-BOLT	J&A #
4"	ZINC	225116-000
	SS	225116-010
5"	ZINC	225116-001
	SS	225116-011

# CROSSING PARTS

## SHEAR BOLT ASSEMBLIES



WABCO #	J&A #	DESCRIPTION
X451071-4706	180006-000	SHEAR PIN, .20 DIA, 16-26 FOOT ARM
X3575-170-1	180006-001	SHEAR PIN, .20 DIA, 20-26 FOOT FIBERGLASS ARM
X451071-4709	180006-002	SHEAR PIN, .20 DIA, 27-32 FOOT ARM
451071-4701	180006-003	SHEAR PIN, .20 DIA, 33-40 FOOT ALUMINUM ARM

- Tapered end for easy installation
- No threads to damage during installation