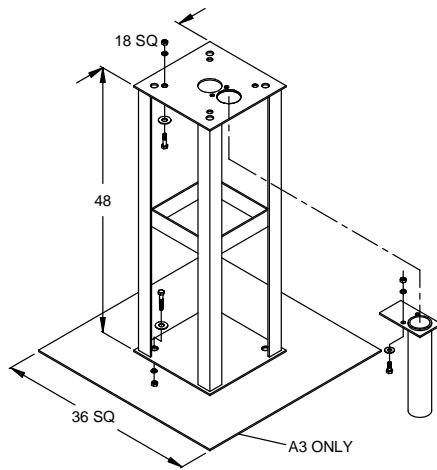
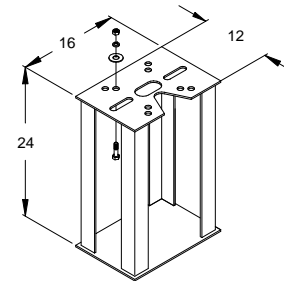


# FOUNDATIONS

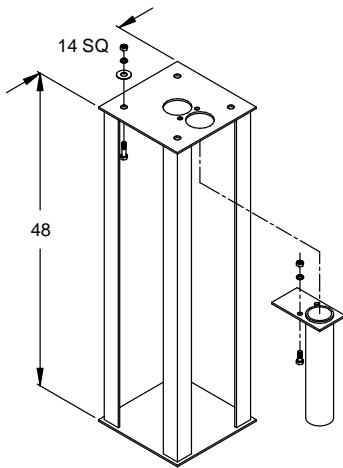
## FLASHER



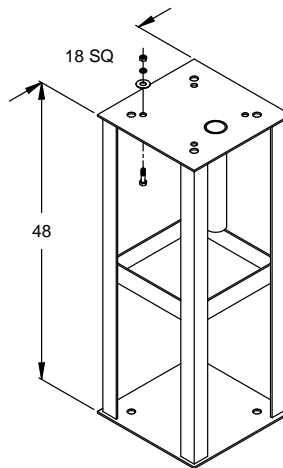
REF A



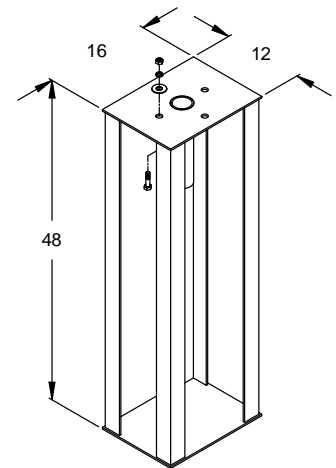
REF B



REF C



REF D



REF E

REF	FOUNDATION W/ HDW	FOUNDATION ONLY	DESCRIPTION
A1	180163-000	160284-000	FOUNDATION, FLASHER, 4' TALL
A2	180163-001	160284-000	FOUNDATION, GATE, 4' TALL
A3	180163-002	160284-000	FOUNDATION, GATE WITH 36" SQUARE BASE, 4' TALL
B	180174-000	160364-000	FOUNDATION, FLASHER, DWARF, 2' TALL
C	180175-000	160277-000	FOUNDATION, FLASHER, 4' TALL WITH 2 HOLES
D	180199-000	160263-000	FOUNDATION, FLASHER, 4' TALL WITH 1 OFFSET HOLE
E	180223-000	160330-000	FOUNDATION, FLASHER, 4' TALL WITH 1 HOLE

Special configurations are available.