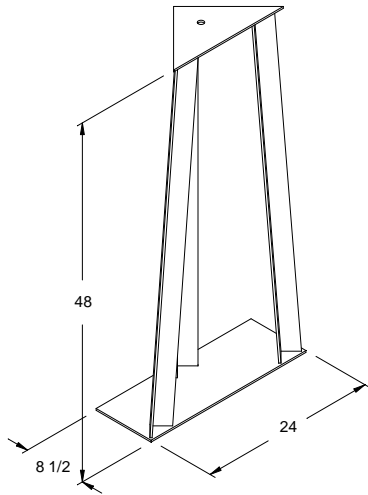
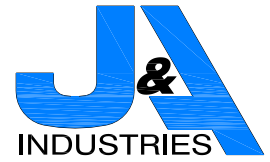
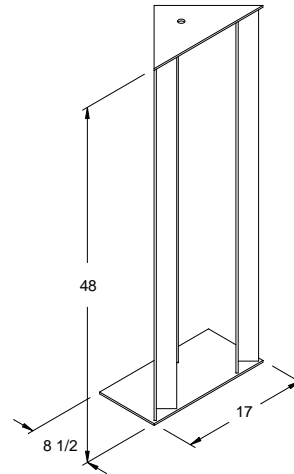


FOUNDATIONS

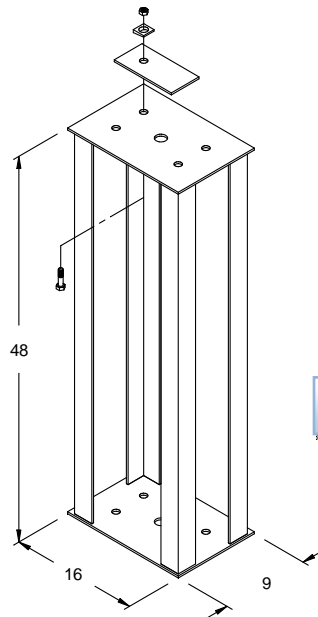
HOUSE



REF A



REF B



REF C

REF	FOUNDATION W/ HDW	FOUNDATION ONLY	HDW ONLY	DESCRIPTION
A	180017-000	160023-000	180016-000	FOUNDATION, HOUSE, 4' TALL WITH TAPERED LEGS
B	180092-000	160162-000	180016-0000	FOUNDATION, HOUSE, 4' TALL WITH STRAIGHT LEGS
C	180209-000	160309-000		FOUNDATION, HOUSE, 4' TALL WITH 4 LEGS

Special configurations are available.