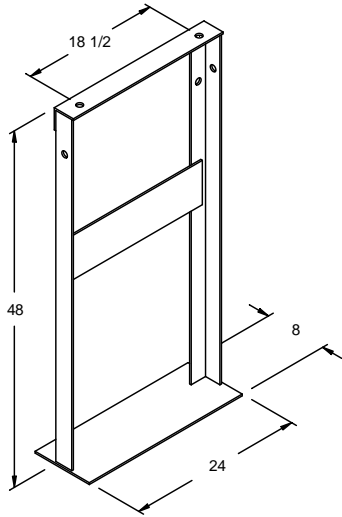
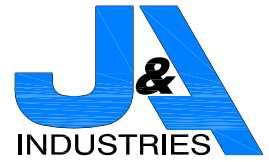
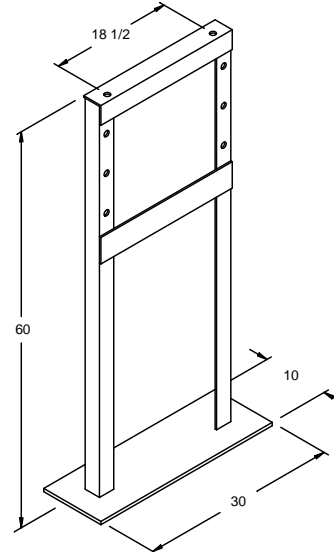


FOUNDATIONS

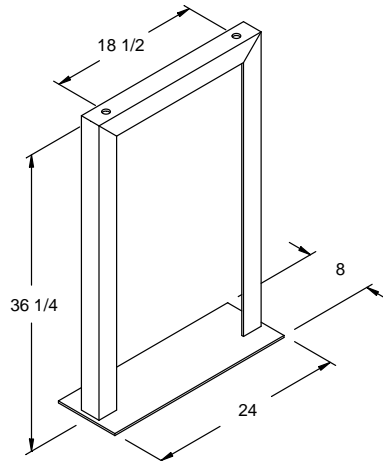
CASE



REF A



REF B



REF C

REF	FOUNDATION W/ HDW	FOUNDATION ONLY	HDW ONLY	DESCRIPTION
A	180013-000	160024-000	180009-000	FOUNDATION, CASE, 4' TALL
B	180093-000	160172-000	180096-000	FOUNDATION, CASE, 5' TALL
C	180120-000	160190-000		FOUNDATION, CASE, 3' TALL

Special configurations are available.