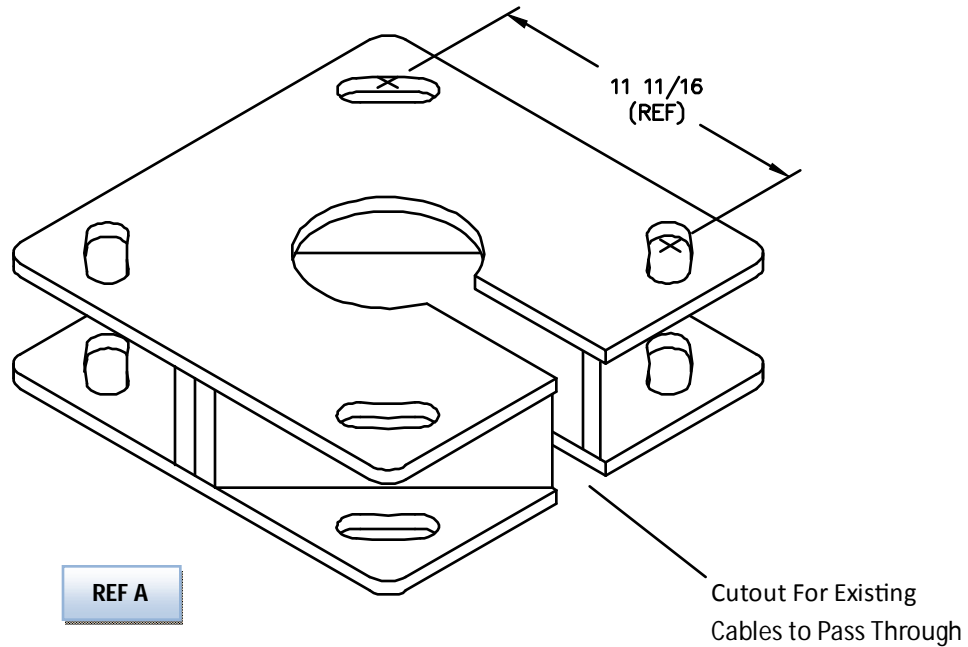
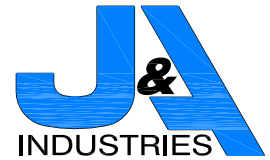


FOUNDATIONS

GATE RISER



- Gate riser allows raising the crossing gate from 5" to 8" because of foundation settling or changing road surface height
- 8" long hardware included: Bolts, Nuts, Flat & Lock Washers

REF	J&A #	DESCRIPTION
A	180783-000	GATE RISER KIT, 5"-8"