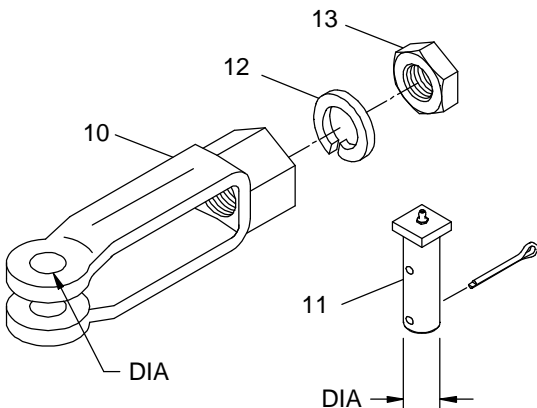
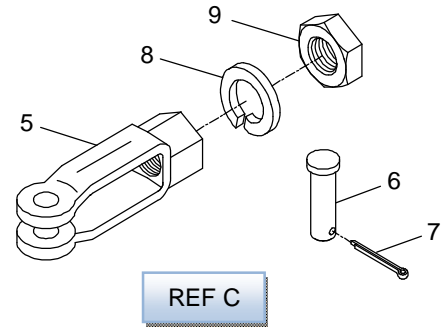


| REF | O.E.M. # | J&A #      | DESCRIPTION                                   |
|-----|----------|------------|---|
| A   | A91-215  | 180070-000 | SCREW JAW, 1-8, KIT WITH CLAMPING HARDWARE    |
| B   |          | 180070-001 | SCREW JAW, 1-8, KIT WITH SPECIAL SPRING BOLT  |
| 1   |          | 110040-001 | SCREW JAW, 1-8                                |
| 2A  | P91-140  | 225136-000 | BOLT, CLEVIS, 1/2-13 X 2 1/4" (ASSY AS SHOWN) |

| REF | O.E.M. # | J&A #       | DESCRIPTION                                 |
|-----|----------|-------------|---|
| C   |          | 180204-000  | KIT, SCREW JAW, 1-8 X 5/8" PIN AND HARDWARE |
| 5   |          | 110049-001  | SCREW JAW, 1-8 WITH 5/8" HOLE               |
| 6   |          | 014066-000  | PIN, CLEVIS, 5/8" X 2" WITH 3/16" DIA HOLE  |
| 7   |          | 014001-0824 | PIN, COTTER, 5/32" X 1 1/2"                 |
| 8   | P91-338  | 013000-013  | WASHER, SPLIT LOCK, 1" Z/P                  |
| 9   | P91-144  | 013124-012  | NUT, HEAVY HEX JAM, 1-8 Z/P                 |



| REF | O.E.M. # | J&A #      | DESCRIPTION                       | DIA.  |
|-----|----------|------------|-----------------------------------|-------|
| 10A | P91-110  | 110026-001 | SCREW JAW, 1 1/4-7                | 7/8   |
| 10B | P91-110M | 110026-002 | SCREW JAW, 1 1/4-7                | 1 1/8 |
| 11A | P91-100  | 225097-000 | PIN, CLEVIS, 2 1/4"               | 7/8   |
| 11B |          | 225440-000 | PIN, CLEVIS, 2 1/4"               | 1 1/8 |
| 12  | P91-338  | 013000-015 | WASHER, SPLIT LOCK, 1 1/4" Z/P    |       |
| 13  | P91-144  | 013124-014 | NUT, HEAVY HEX JAM, 1 1/4 - 7 Z/P |       |