

REF	J&A #	DESCRIPTION
	22524X-XXX	ASSEMBLY, FRONT ROD (SEE TABLES ON PAGES 2.4 & 2.5)
1	220019-XXX	ASSEMBLY, LUG RIGHT HAND (SEE TABLE A, THIS PAGE)
2	220029-XXX	ASSEMBLY, LUG LEFT HAND (SEE TABLE B, THIS PAGE)
3	140338-000	BAR, TRANSIT, 35" X 1"
4	150077-000	PLATE, WASHER 1/8" THICK
5	110045-001	LUG, CENTER
6	150070-000	PLATE, CONNECTOR, 1/2" THICK
7	027010-000	PLATE, CONNECTOR, 1/8" THICK
8	027012-001	BUSHING, INSULATOR, FOR 1" BAR*
9	013203-640	SCREW, HEX HEAD CAP, 3/4-10 X 2 1/2" Z/P
10	013203-648	SCREW, HEX HEAD CAP, 3/4-10 X 3" Z/P
11	013000-010	WASHER, SPLIT LOCK, 3/4" Z/P
12	150093-000	BUSHING, 1" TO 3/4" (REDUCER USE W/ 3/4" BOLTS ONLY)
13	021000-007	GREASE FITTING, 1/4-28 X 45 THREAD CUT
14	021000-002	GREASE FITTING, 1/4" DRIVE

TABLE A		
LUG ASSY, RIGHT HAND		
Y	Z	J&A #
10 1/8	4 1/4	220019-011S
	5 3/16	220019-111S
13 1/8	4 1/4	220019-011
	5 3/16	220019-021
5 1/8	4 1/4	220019-121
	5 3/16	220019-111

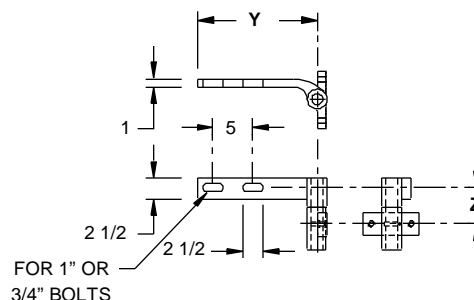
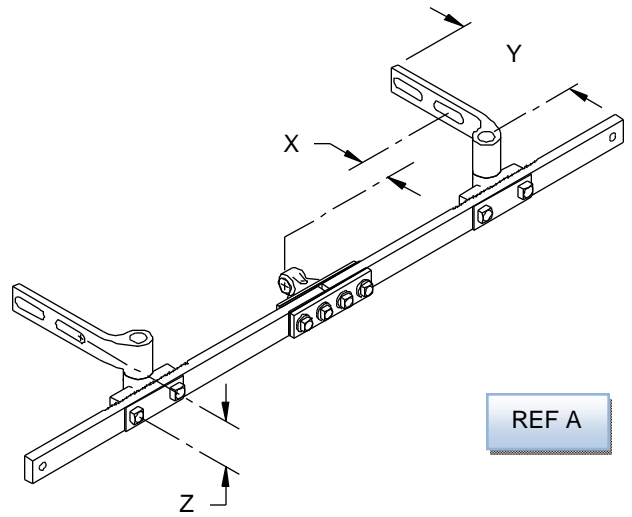
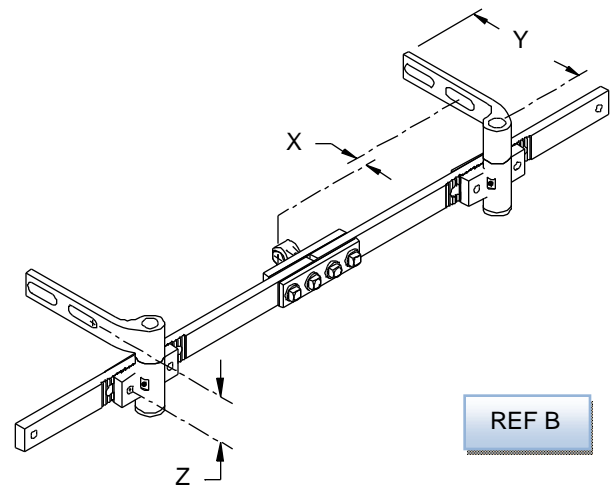


TABLE B		
LUG ASSY, LEFT HAND		
Y	Z	J&A #
10 1/8	4 1/4	220029-011S
	5 3/16	220029-111S
13 1/8	4 1/4	220029-011
	5 3/16	220029-021
15 1/8	4 1/4	220029-121
	5 3/16	220029-111

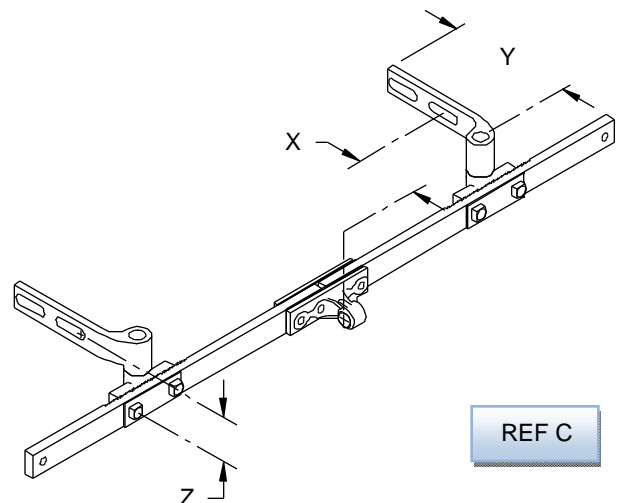
REF	X	Y	Z	1" BOLTS	3/4" BOLTS
A1	1 1/2 TO 2	10 1/8	4 1/4	A91-330S	A91-340S
				225240-001S	225240-002S
A2	1 1/2 TO 2	10 1/8	5 3/16	A91-331S	A91-341S
				225240-003S	225240-004S
A3	3 1/2 TO 5	13 1/8	4 1/4	A91-330	A91-340
				225240-003	225240-002
A4	3 1/2 TO 5	13 1/8	5 3/16	A91-331	A91-341
				225240-003	225240-004
A5	5 1/2 TO 7	15 1/8	4 1/4	A91-332	A91-342
				225240-005	225240-006
A6	5 1/2 TO 7	15 1/8	5 3/16	A91-333	A91-343
				225240-007	225240-008



REF	X	Y	Z	1" BOLTS	3/4" BOLTS
B1	-1 TO -2 1/2	10 1/8	4 1/4	A91-350S	A91-360S
				225241-001S	225241-002S
B2	-1 TO -2 1/2	10 1/8	5 3/16	A91-351S	A91-361S
				225241-003S	225241-004S
B3	1/2 TO 2	13 1/8	4 1/4	A91-350	A91-360
				225241-003	225241-002
B4	1/2 TO 2	13 1/8	5 3/16	A91-351	A91-361
				225241-003	225241-004
B5	2 1/2 TO 4	15 1/8	4 1/4	A91-352	A91-362
				225241-005	225241-006
B6	2 1/2 TO 4	15 1/8	5 3/16	A91-353	A91-363
				225241-007	225241-008

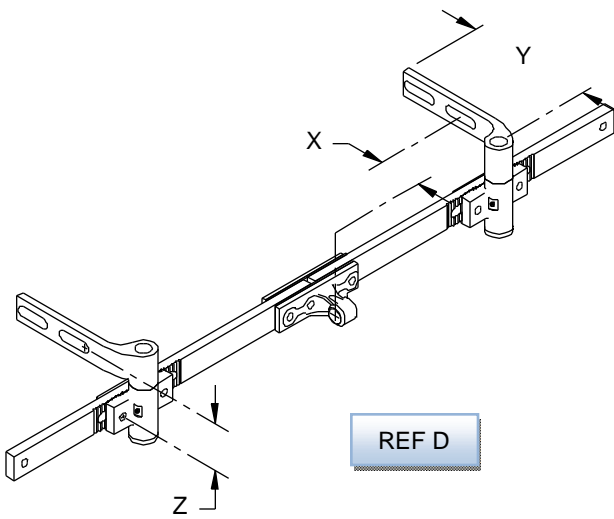
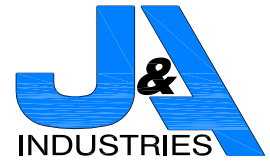


REF	X	Y	Z	1" BOLTS	3/4" BOLTS
C1	7 1/2 TO 9	10 1/8	4 1/4	A91-370S	A91-380S
				225242-001S	225242-002S
C2	7 1/2 TO 9	10 1/8	5 3/16	A91-371S	A91-381S
				225242-003S	225242-004S
C3	10 1/2 TO 12	13 1/8	4 1/4	A91-370	A91-380
				225242-003	225242-002
C4	10 1/2 TO 12	13 1/8	5 3/16	A91-371	A91-381
				225242-003	225242-004
C5	12 1/2 TO 14	15 1/8	4 1/4	A91-372	A91-382
				225242-005	225242-006
C6	12 1/2 TO 14	15 1/8	5 3/16	A91-373	A91-383
				225242-007	225242-008

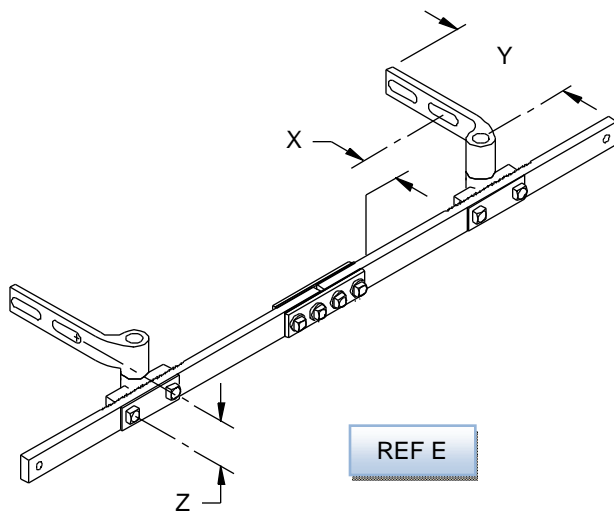


GRS

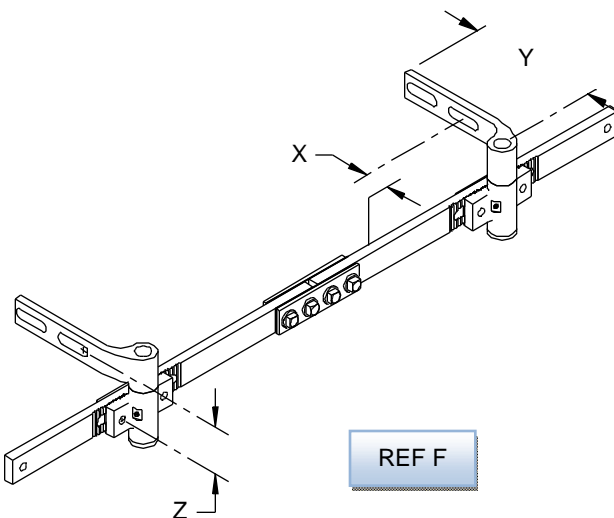
FRONT RODS



REF	X	Y	Z	1" BOLTS	3/4" BOLTS
D1	4 1/2 to 6	10 1/8	4 1/4	A91-390S	A91-400S
				225243-001S	225243-002S
D2	4 1/2 TO 6	10 1/8	5 3/16	A91-391S	A91-401S
				225243-003S	225243-004S
D3	7 1/2 TO 9	13 1/8	4 1/4	A91-390	A91-400
				225243-003	225243-002
D4	7 1/2 TO 9	13 1/8	5 3/16	A91-391	A91-401
				225243-003	225243-004
D5	9 1/2 TO 11	15 1/8	4 1/4	A91-392	A91-402
				225243-005	225243-006
D6	9 1/2 TO 11	15 1/8	5 3/16	A91-393	A91-403
				225243-007	225243-008



REF	X	Y	Z	1" BOLTS	3/4" BOLTS
E1	3 1/2 TO 5	10 1/8	4 1/4	A91-410S	A91-420S
				225244-001S	225244-002S
E2	3 1/2 TO 5	10 1/8	5 3/16	A91-411S	A91-421S
				225244-003S	225244-004S
E3	6 1/2 TO 8	13 1/8	4 1/4	A91-410	A91-420
				225244-003	225244-002
E4	6 1/2 TO 8	13 1/8	5 3/16	A91-411	A91-421
				225244-003	225244-004
E5	8 1/2 TO 10	15 1/8	4 1/4	A91-412	A91-422
				225244-005	225244-006
E6	8 1/2 TO 10	15 1/8	5 3/16	A91-413	A91-423
				225244-007	225244-008



REF	X	Y	Z	1" BOLTS	3/4" BOLTS
F1	1/2 TO 2	10 1/8	4 1/4	A91-430S	A91-440S
				225245-001S	225245-002S
F2	1/2 TO 2	10 1/8	5 3/16	A91-431S	A91-441S
				225245-003S	225245-004S
F3	3 1/2 TO 5	13 1/8	4 1/4	A91-430	A91-440
				225245-003	225245-002
F4	3 1/2 TO 5	13 1/8	5 3/16	A91-431	A91-441
				225245-003	225245-004
F5	5 1/2 TO 7	15 1/8	4 1/4	A91-432	A91-442
				225245-005	225245-006
F6	5 1/2 TO 7	15 1/8	5 3/16	A91-433	A91-443
				225245-007	225245-008