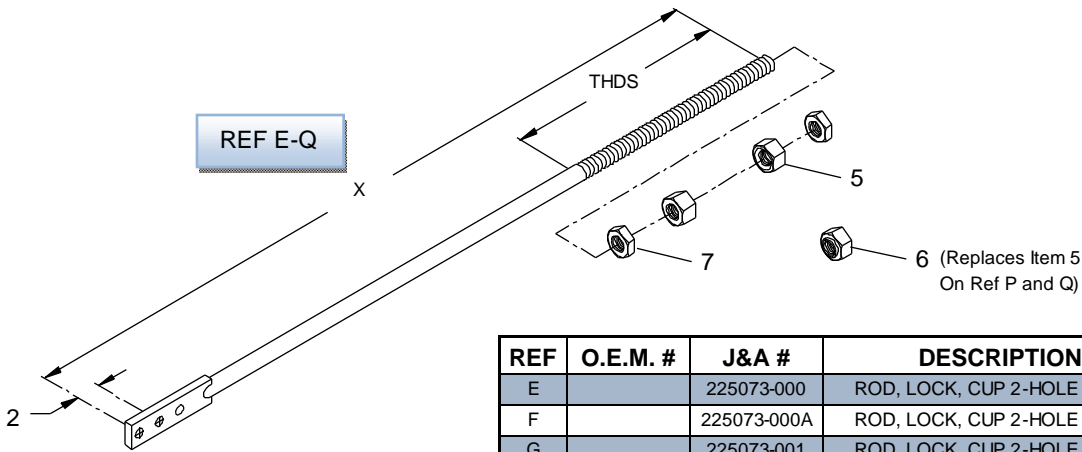


REF	O.E.M. #	J&A #	DESCRIPTION	X
A	A91-135	225069-000	ROD, SOLID JAW, 1 1/4"	42
B	A91-136	225069-001	ROD, SOLID JAW, 1 1/4"	72
C	A91-137	225069-002	ROD, SOLID JAW, 1 1/4"	108
D		225069-003	ROD, SOLID JAW, 1 1/4"	79
E	A91-138	225069-00X	ROD, SOLID JAW, 1 1/4"	144
1	P91-111	013115-014	NUT, HEAVY HEX, 1 1/4"-7, Z/P	
2	P91-230	013000-015	WASHER, SPLIT LOCK, 1 1/4" Z/P	
3	P91-100	225097-000	ASSY, PIN, 7/8" X 2 1/4" (AS SHOWN)	
4	P91-120	225106-000	ASSY, CLEVIS BOLT, 7/8" X 3 1/16" (AS SHOWN)	



REF	O.E.M. #	J&A #	DESCRIPTION	X	THDS
E		225073-000	ROD, LOCK, CUP 2-HOLE	60	18
F		225073-000A	ROD, LOCK, CUP 2-HOLE	60	24
G		225073-001	ROD, LOCK, CUP 2-HOLE	70	18
H		225073-002	ROD, LOCK, CUP 2-HOLE	72	18
J		225073-003	ROD, LOCK, CUP 2-HOLE	76	18
K		225073-004	ROD, LOCK, CUP 2-HOLE	96	18
L		225073-005	ROD, LOCK, CUP 2-HOLE	68	18
M		225073-006	ROD, LOCK, CUP 2-HOLE	102	24
N		225073-103	ROD, LOCK, CUP 3-HOLE	76	18
O		225073-104	ROD, LOCK, CUP 3-HOLE	74	18
P		225073-203	ROD, LOCK, FLANGE 2-HOLE	70	18
Q		225073-204	ROD, LOCK, FLANGE 2-HOLE	76	24
5	P91-122	140095-000	NUT, CUP THICK HEX, 1 1/4"		
6		140345-000	NUT, FLANGE HEAVY HEX, 1 1/4"		
7	P91-123	013124-014	NUT, HEAVY HEX JAM, 1 1/4"		