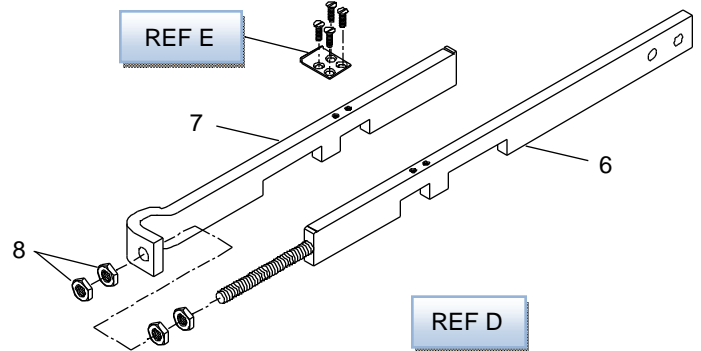
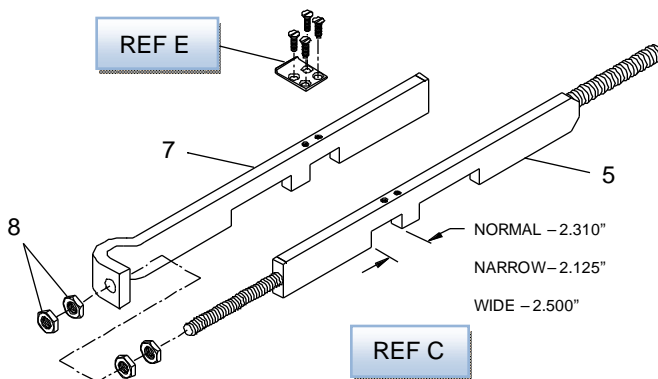


REF	O.E.M. #	J&A #	DESCRIPTION
A1	P85-764	225003-000	ROD, POINT DETECTOR, LEFT HAND
A2	P85-765	225003-001	ROD, POINT DETECTOR, RIGHT HAND
B	51176-1	225380-000	ROD, POINT DETECTOR
1	P85-729	160046-000	ROD, ADJUSTING
2		160293-000	ROD, WITH STUD
3	P95-881	160047-000	ROD, WITH STUD
4	P85-208	013124-009	NUT, HEAVY HEX JAM, 5/8-11, Z/P



REF	O.E.M. #	J&A #	DESCRIPTION
C1	P85-468	225004-000	ROD, LOCK INTRL, LH, NARROW SLOT
C2	P85-469	225135-000	ROD, LOCK INTRL, RH, NARROW SLOT
C3	P85-468M	225482-000	ROD, LOCK INTRL, LH, NORMAL SLOT
C4	P85-469M	225473-000	ROD, LOCK INTRL, RH, NORMAL SLOT
C5	P85-468WS	225183-000	ROD, LOCK INTRL, LH, WIDE SLOT
C6	P85-469WS	225523-000	ROD, LOCK INTRL, RH, WIDE SLOT
C7	P85-468D	225275-000	ROD, LOCK INTRL, LH, NARROW SLOT, (DMIR)
C8	P85-468S	225404-000	ROD, LOCK INTRL, LH, NORMAL SLOT, (BNSF)

REF	O.E.M. #	J&A #	DESCRIPTION
D1	P85-1101	225379-000	ROD, LOCK, LEFT HAND
D2		225495-000	ROD, LOCK, RIGHT HAND
E	P85-735	180021-000	KIT, CLIP WITH HARDWARE
5	P85-471	160020-000	BAR, STRAIGHT
6		160292-000	BAR, STRAIGHT
7	P85-482	140012-000	PLATE, ADJUSTING LEFT HAND
8	P85-250	013124-010	NUT, HEAVY HEX JAM, 3/4-10