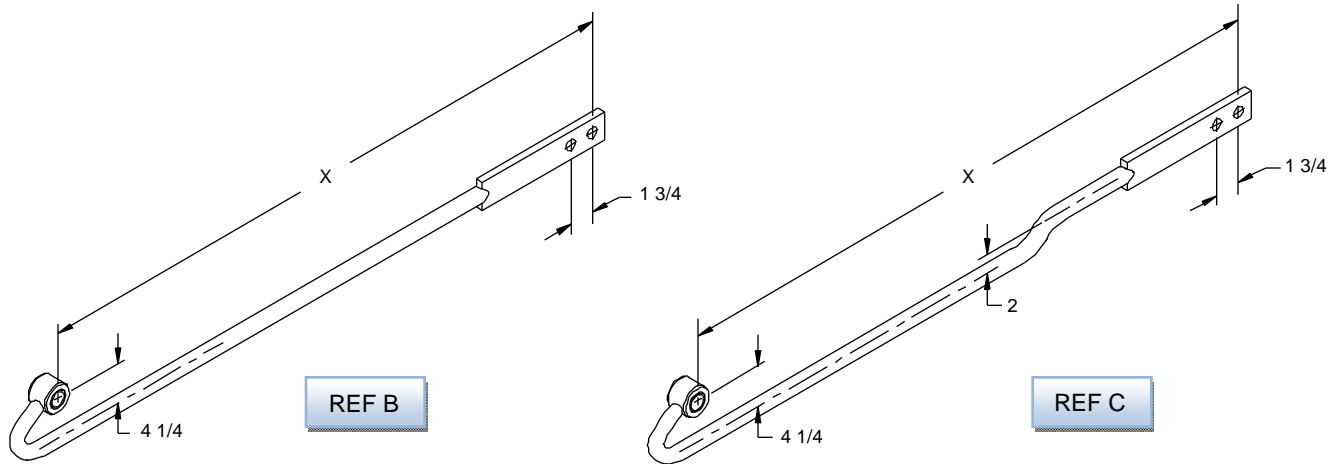


REF	O.E.M. #	J&A #	DESCRIPTION	X
A1	A91-170	225062-000	ROD, POINT DETECTOR, 1" DIA INSULATED	76
A2	A91-171	225062-001	ROD, POINT DETECTOR, 1" DIA INSULATED	80 1/2
A3	A91-172	225062-002	ROD, POINT DETECTOR, 1" DIA INSULATED	84
A4	A91-173	225062-003	ROD, POINT DETECTOR, 1" DIA INSULATED	86 1/2
A5	A91-174	225062-004	ROD, POINT DETECTOR, 1" DIA INSULATED	92 1/2
A6	A91-175	225062-005	ROD, POINT DETECTOR, 1" DIA INSULATED	94
A7	A91-176	225062-006	ROD, POINT DETECTOR, 1" DIA INSULATED	105



REF	O.E.M. #	J&A #	DESCRIPTION	X
B1	A91-160	225108-000	ROD, POINT DETECTOR, 1" DIA	36
B2	A91-161	225108-001	ROD, POINT DETECTOR, 1" DIA	44
B3	A91-162	225108-002	ROD, POINT DETECTOR, 1" DIA	47
B4	A91-163	225108-003	ROD, POINT DETECTOR, 1" DIA	73
B5	A91-164	225108-004	ROD, POINT DETECTOR, 1" DIA	79
C1		225108-100	ROD, POINT DETECTOR, 1" DIA WITH 2" OFFSET	36
C2		225108-101	ROD, POINT DETECTOR, 1" DIA WITH 2" OFFSET	41