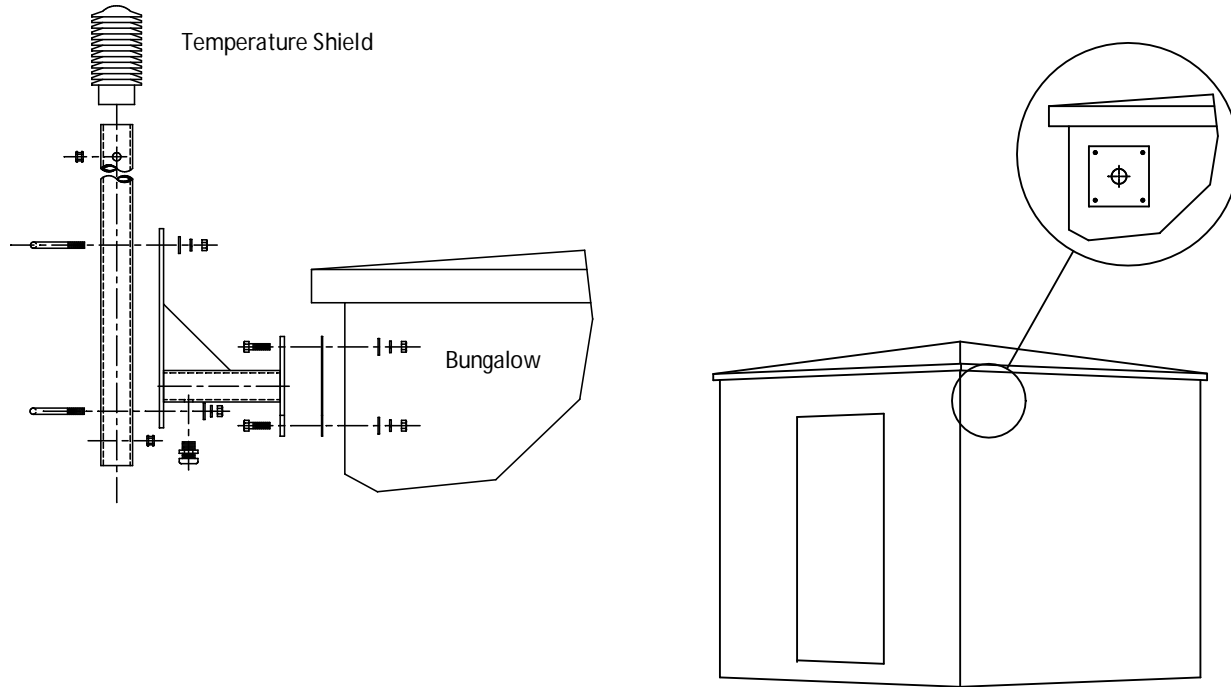
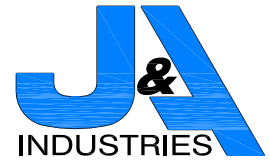


TEMP PROBE MOUNTING



J&A #	DESCRIPTION
180097-000	STANDARD TEMPERATURE PROBE KIT
180097-001	FIBERGLASS BUNGALOW KIT

- Provides an easy solution for locating ambient temperature probes
- Locates the ambient temperature sensor above the bungalow roof and away from any obstructions
- Normal installation time is only 1 hour
- Kit includes all components except wire and ambient temperature sensor
- Hardware includes 5/16" and 1/8" grommets