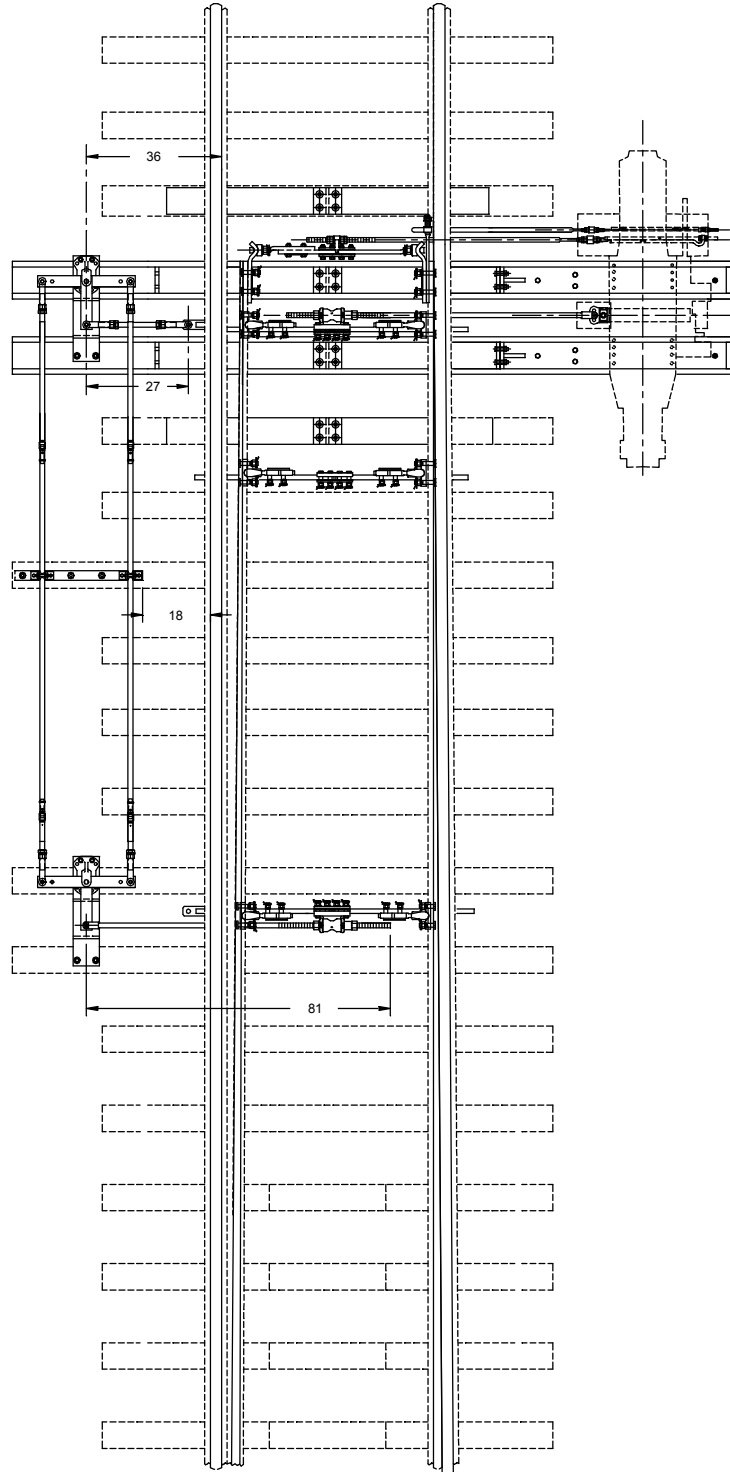


PIPELINES

#20 LATERAL TURNOUT

#20 LATERAL TURNOUT
180377-000



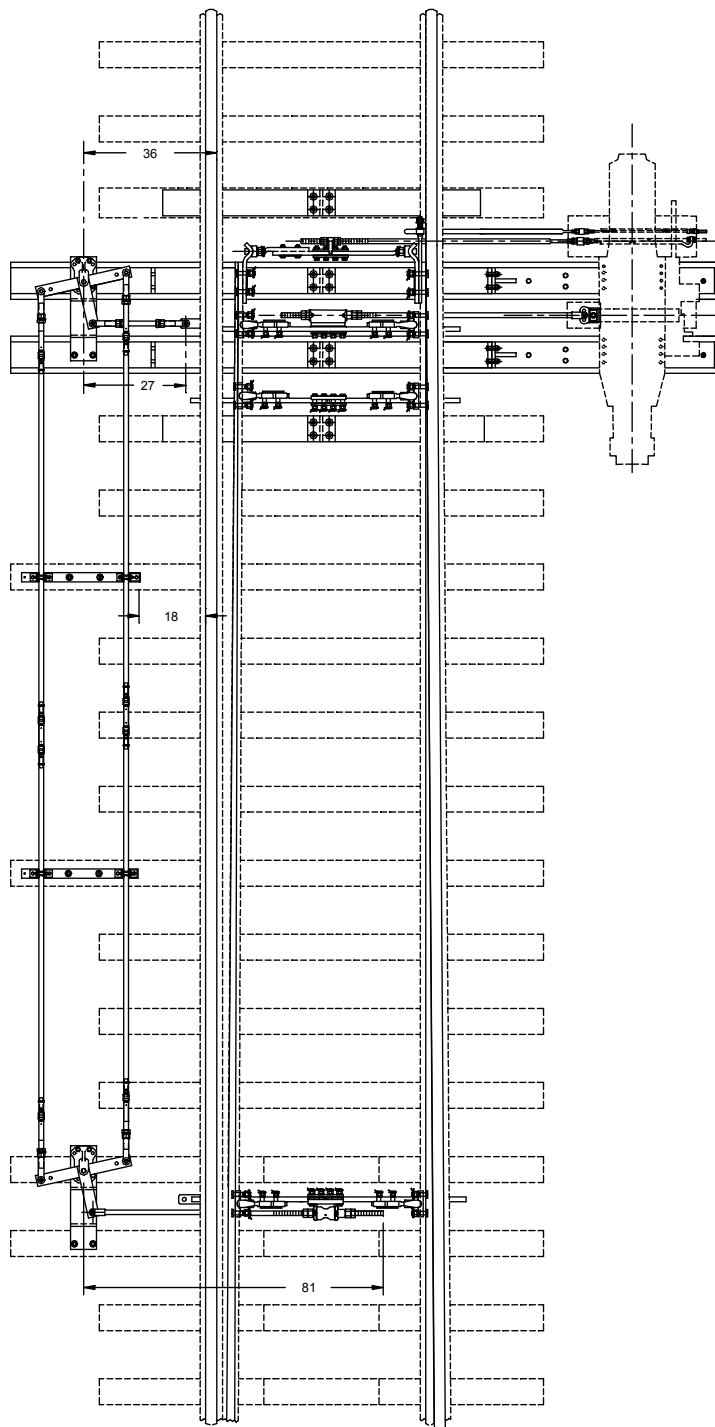
J&A INDUSTRIES, INC.

14 S. Ewing Street Kansas City, KS 66118 PH (913) 281-5722 (800) 748-7722 FAX (913) 281-1401

PIPELINES

#24 LATERAL TURNOUT

#24 LATERAL TURNOUT
180242-000

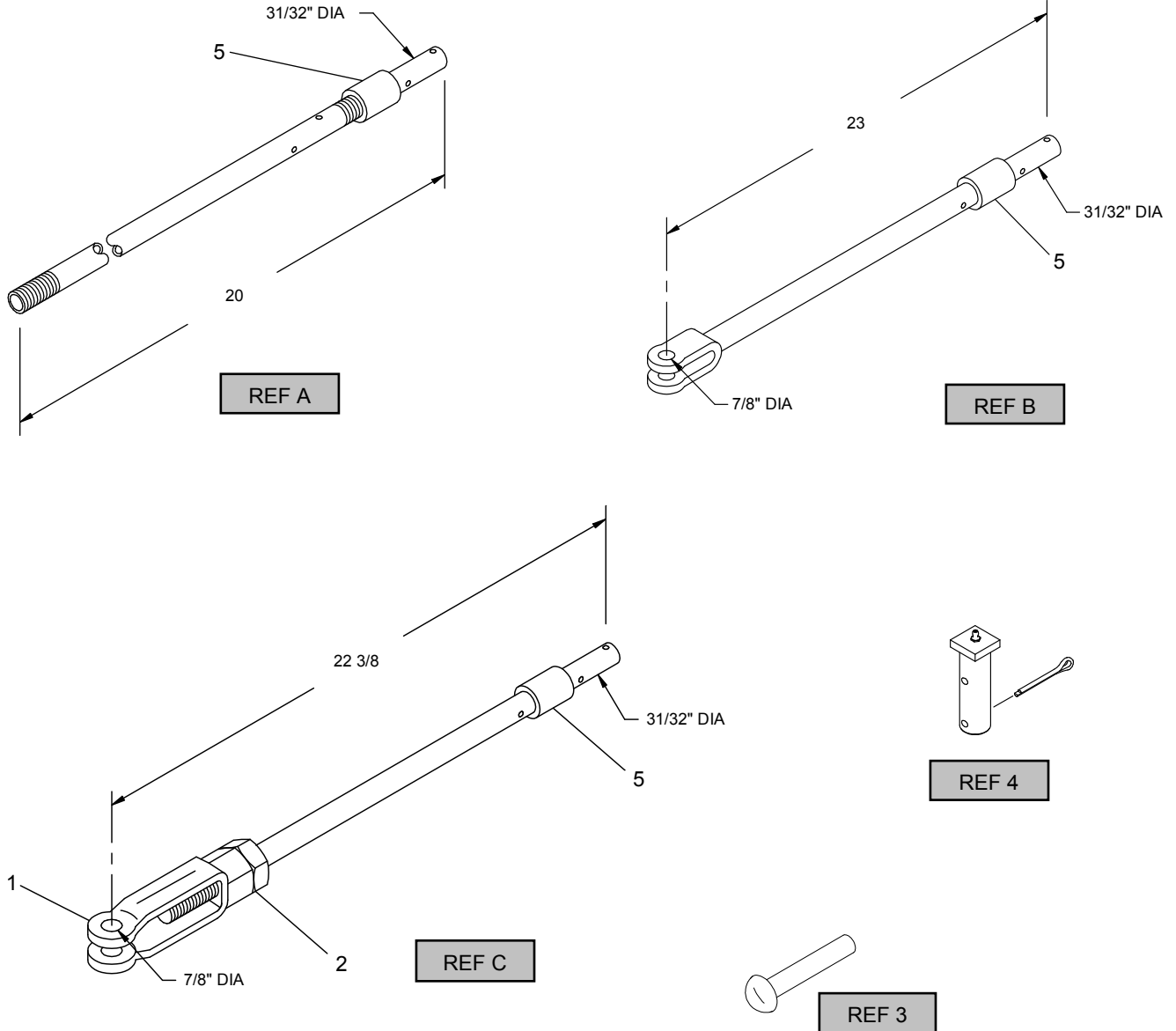


J&A INDUSTRIES, INC.

14 S. Ewing Street Kansas City, KS 66118 PH (913) 281-5722 (800) 748-7722 FAX (913) 281-1401

PIPELINES

GRS RODS AND PIPE



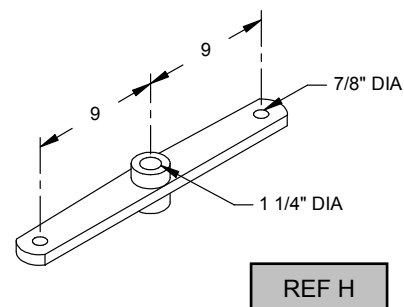
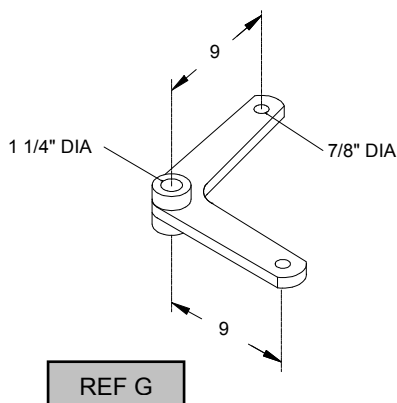
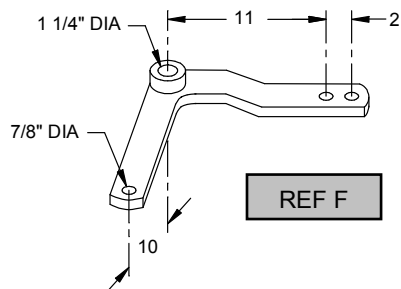
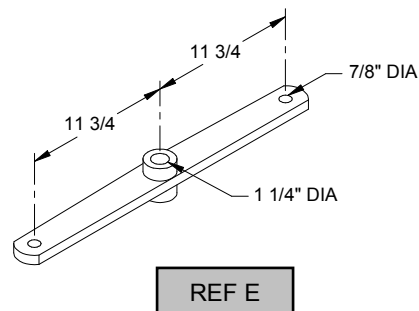
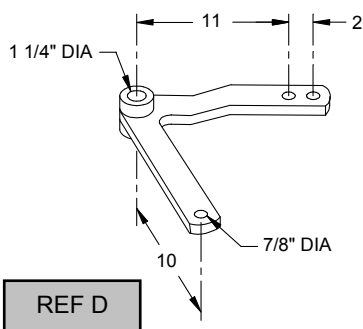
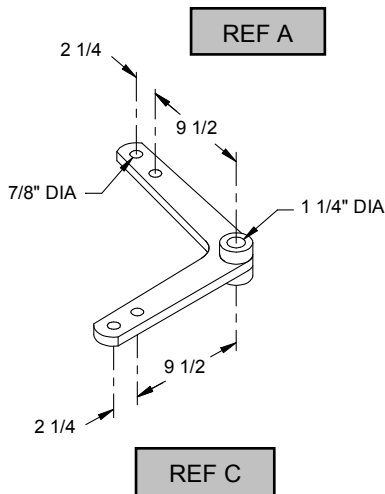
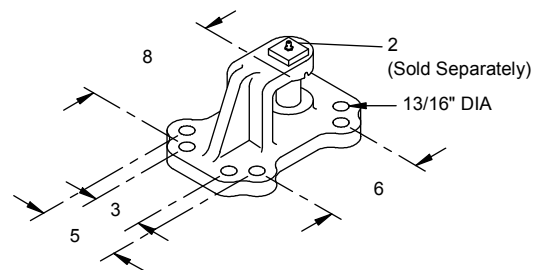
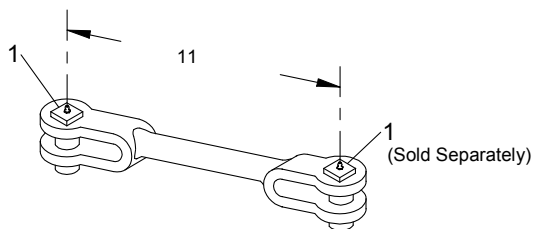
REF	O.E.M. #	J&A #	DESCRIPTION
A	A91-122	225109-000	PIPE, 1" GALV, 20" LONG W/ RIVETS & COUPLING
B1	A91-125	225120-000	ROD, SOLID JAW, TANGED FOR 1" PIPE W/O PIN
B2	A91-125A	225120-001	ROD, SOLID JAW, TANGED FOR 1" PIPE W/ PIN 2 1/4"
C1	A91-126	225113-000	ROD, TANGED FOR 1" PIPE W/O SCREW JAW & W/O PIN
C2	A91-126A	225113-001	ROD, TANGED FOR 1" PIPE W/ SCREW JAW W/ PIN 2 1/4"
1	P91-110	110026-001	SCREW JAW, 1 1/4"
2	P91-111	013124-014	NUT, HEAVY HEX JAM, 1 1/4-7
3	P91-112	014043-000	RIVET, ROUND HEAD, 1/4" X 1 11/16"
4A	P91-100	225097-000	PIN, 7/8" X 2 1/4" WITH COTTER & GREASE FITTING
4B	P91-100A	225097-001	PIN, 7/8" X 2 1/2" WITH COTTER & GREASE FITTING
4C	P91-100B	225097-002	PIN, 7/8" X 3 1/8" WITH COTTER & GREASE FITTING
5		026005-000	COUPLER, 1" GALVANIZED

J&A INDUSTRIES, INC.

14 S. Ewing Street Kansas City, KS 66118 PH (913) 281-5722 (800) 748-7722 FAX (913) 281-1401

PIPELINES

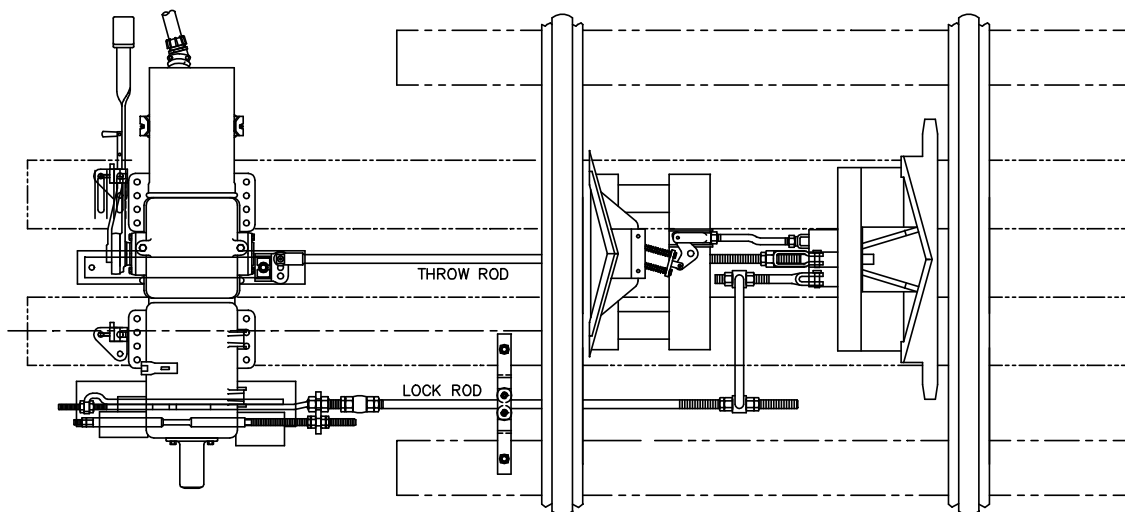
GRS CRANKS



REF	O.E.M. #	J&A #	DESCRIPTION
A	A91-108	160091-000	LINK, CONNECTING, 11" CENTERS
B	A91-101	225255-000	CRANK STAND, HORIZONTAL, WITH 1 1/4" DIA. PIN
C	A91-105	225259-000	CRANK, RIGHT ANGLE, 11 3/4" X 11 3/4"
D	A91-103	225257-000	CRANK, ACUTE ANGLE, 10" X 11" OR 13"
E	A91-106	225260-000	COMPENSATOR, STRAIGHT ARM, 11 3/4" X 11 3/4"
F	A91-102	225256-000	CRANK, OBTUSE ANGLE, 10" X 11" OR 13"
G	A91-104	225258-000	CRANK, RIGHT ANGLE, 9" X 9"
H	A91-107	225261-000	COMPENSATOR, STRAIGHT ARM, 9" X 9"
1	P91-100	225097-000	PIN, 7/8" DIA. X 2 1/4" LONG, W/ COTTER & GREASE FITTING
2	P91-102	225114-000	PIN, 1 1/4" X 5", W/ COTTER & GREASE FITTING

PIPELINES

DERAIL LAYOUT



J&A #	DESCRIPTION
180152-000	US&S DERAIL LAYOUT
180152-001	GRS DERAIL LAYOUT

- For a Western-Cullen-Hayes Derail
(model HXBS derail & WCX wheel crowder)