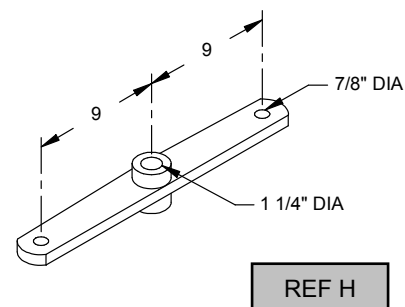
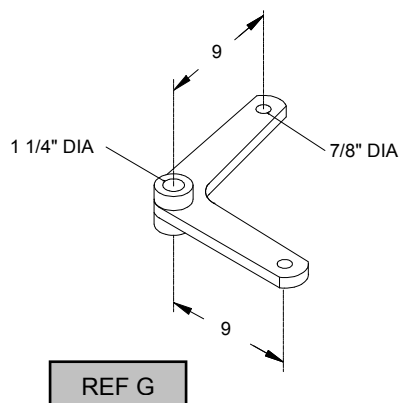
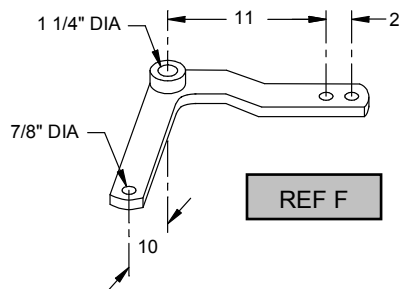
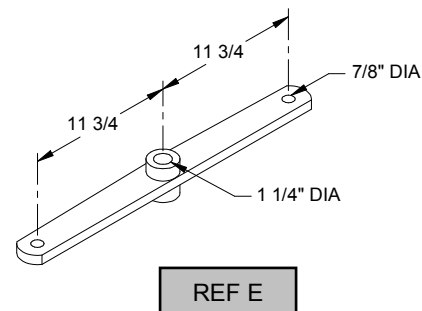
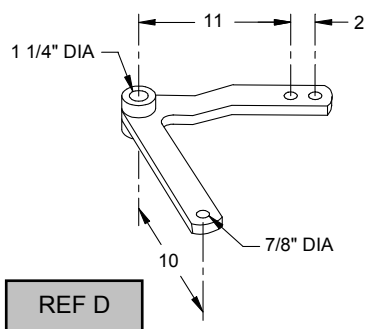
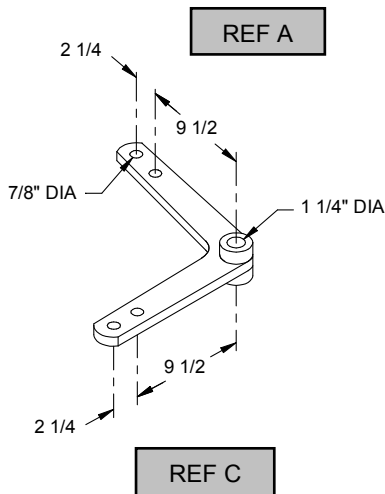
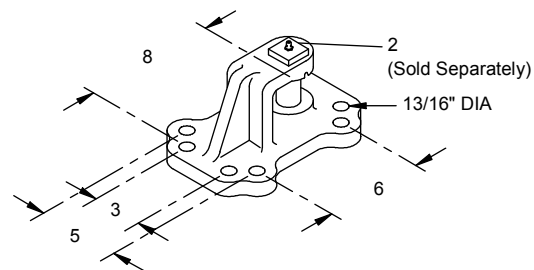
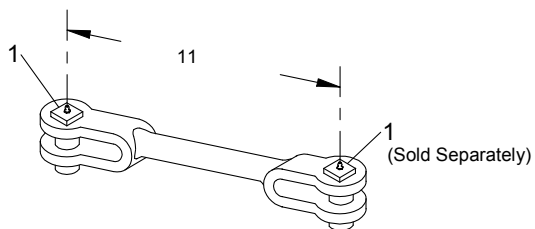


PIPELINES

GRS CRANKS



REF	O.E.M. #	J&A #	DESCRIPTION
A	A91-108	160091-000	LINK, CONNECTING, 11" CENTERS
B	A91-101	225255-000	CRANK STAND, HORIZONTAL, WITH 1 1/4" DIA. PIN
C	A91-105	225259-000	CRANK, RIGHT ANGLE, 11 3/4" X 11 3/4"
D	A91-103	225257-000	CRANK, ACUTE ANGLE, 10" X 11" OR 13"
E	A91-106	225260-000	COMPENSATOR, STRAIGHT ARM, 11 3/4" X 11 3/4"
F	A91-102	225256-000	CRANK, OBTUSE ANGLE, 10" X 11" OR 13"
G	A91-104	225258-000	CRANK, RIGHT ANGLE, 9" X 9"
H	A91-107	225261-000	COMPENSATOR, STRAIGHT ARM, 9" X 9"
1	P91-100	225097-000	PIN, 7/8" DIA. X 2 1/4" LONG, W/ COTTER & GREASE FITTING
2	P91-102	225114-000	PIN, 1 1/4" X 5", W/ COTTER & GREASE FITTING