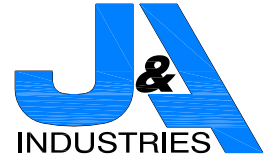


# Rail Drill I

## Multi-Purpose



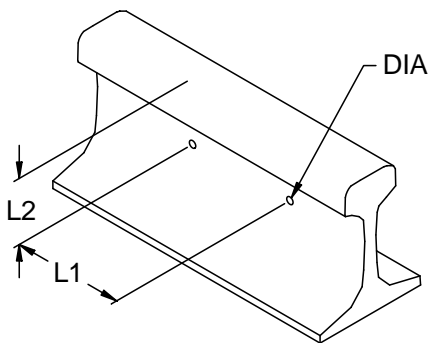
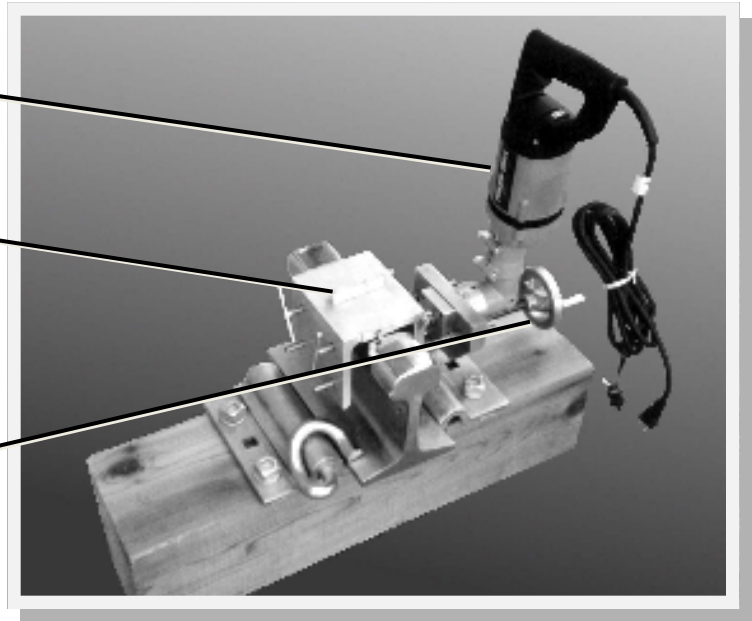
- Drills Mounting Holes for Multiple Transducer Models
- Cost Recovered with First 40 Holes (less than 5 min/pair of holes)
- Drill Bits Not Included, But Are Available From J&A Industries

### Electric Model

Milwaukee 1.3 HP Unit  
Total Weight 28 lbs

Bubble Level Insures  
Perpendicular Installation  
Before Drilling

Hand Crank Provides Proper  
Drill Feed Rate Without The Need For  
Excessive Force (optional ratchet  
drive available)



TRANSDUCER	DIA.	L1	L2
HONEYWELL	7/16"	5 3/4"	3 3/8"
TIEFENBACH	13 mm	145 mm	86.5mm
GETS (HARMON) SERVO	25/64"	5"	3"
SOUTHERN TECHNOLOGIES	3/8"	4"	3 11/16"

### 225505-X0X

OPTION	X
WITHOUT CARRYING CASE	0
WITH CARRYING CASE	1

OPTION	X
BASE UNIT ONLY	0
WITH ELECTRIC POWER	1

J&A #	DESCRIPTION
003001-000	ELECTRIC POWER UNIT, MILWAUKEE, 1.3 HP
019085-002	STORAGE CASE