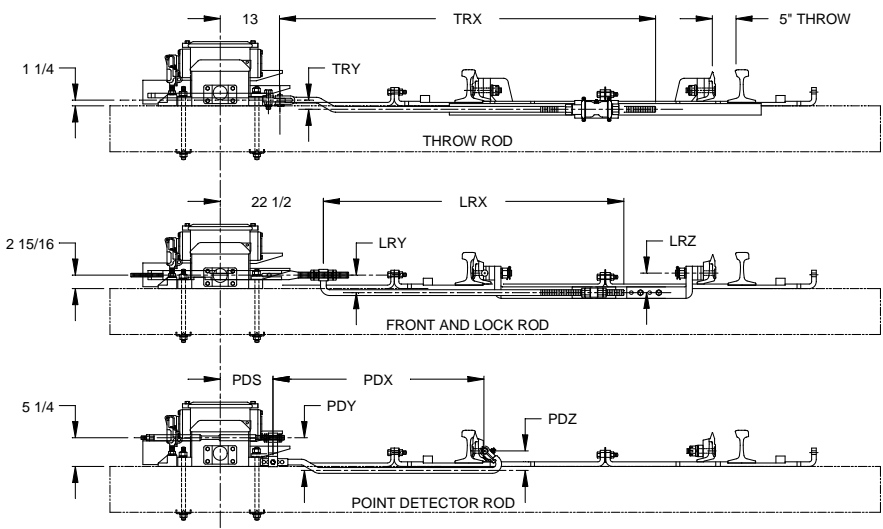
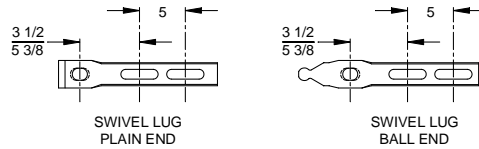
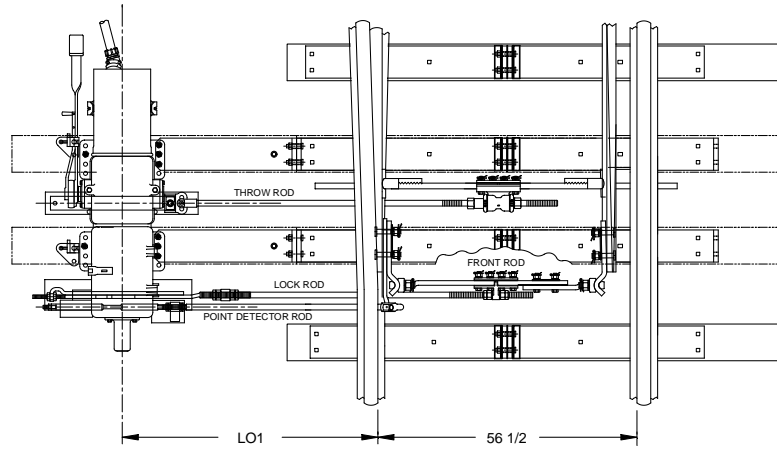


US&S

LAYOUT - DATA SHEET



Fill out the indicated dimensions in the table at right. Call **J&A Industries** at **(800) 748-7722** with the information. We will then identify any of the parts you require for maintenance or repairs.

REF	DESCRIPTION	DIM (in.)
LO1	SWITCH MACHINE LOCATION	
TRX	LENGTH FROM BOLT TO END OF ROD	
TRY	DROP FROM CENTERLINE OF THROW BAR TO CENTERLINE OF ROD	
LRX	LENGTH FROM CENTER OF ROD TO ROD END	
LRY	DISTANCE OF ROD OFFSET	
LRZ	DISTANCE OF FRONT ROD DROP	
PDS	LENGTH FROM CENTERLINE OF MACHINE TO CENTERLINE OF LUG	
PDX	LENGTH FROM CENTERLINE OF LUG TO CENTERLINE OF LUG	
PDY	LENGTH OF TOTAL DROP	
PDZ	DISTANCE OF LUG OFFSET	