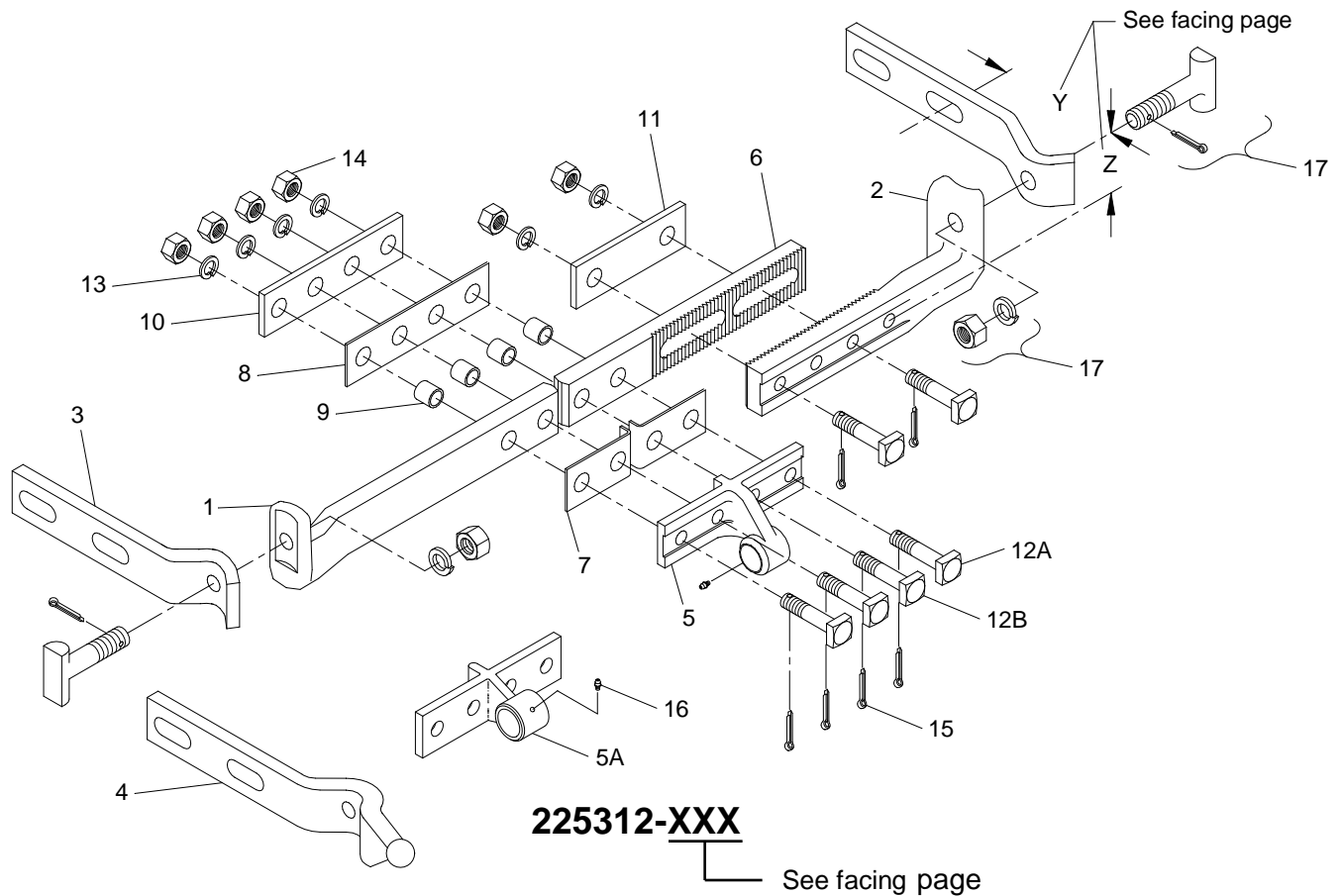


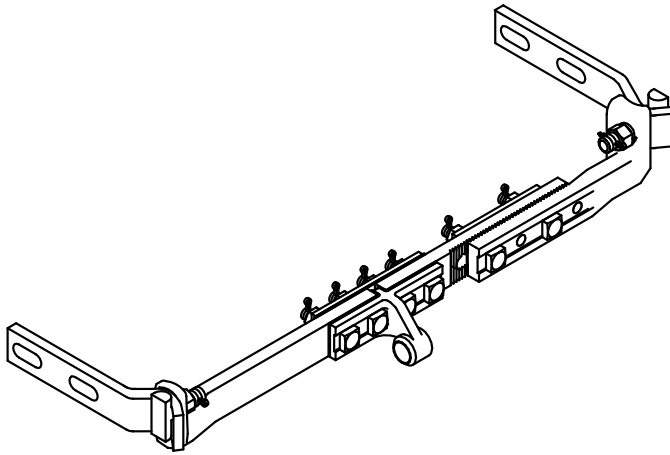
US&S

SWIVEL FRONT RODS

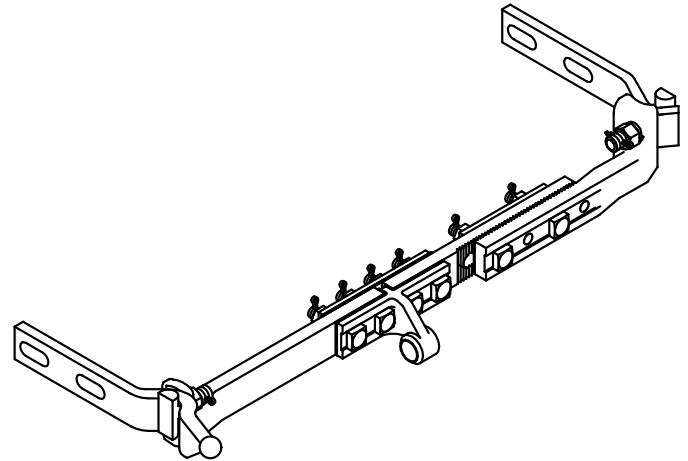


REF	O.E.M. #	J&A #	DESCRIPTION
	UN-451387-XX	225312-XXX	FRONT ROD ASSEMBLY (SWIVEL)
1	UN-290005-00X	110065-XXX	BAR, SWIVEL, L.H. DROP (SEE TABLE A ON FACING PAGE)
2	UN-290006-00X	110066-XXX	BAR, SWIVEL, R.H. DROP (SEE TABLE A ON FACING PAGE)
3	UM-SERIES	110067-XXX	LUG, SWIVEL (SEE TABLE B ON FACING PAGE)
4	UM-SERIES	110069-XXX	LUG, SWIVEL (SEE TABLE B ON FACING PAGE)
5		110062-001	LUG, CONNECTING, 1 3/4 DROP (STANDARD ON ALL FRONT RODS)
5A		160652-000	LUG, CONNECTING, NO DROP
6	UN-239076	140453-000	BAR, CONNECTING
7		027020-000	PLATE, INSULATOR, ANGLE WITH (2) 1 1/32" HOLES
8		027010-000	PLATE, INSULATOR, 1/8" THICK WITH (4) 1 1/32" HOLES
9		027012-000	BUSHING, INSULATOR, L=1 7/32" FOR 1" BAR
10		150079-000	WASHER, PLATE 1/4" THICK, WITH (4) 13/16" HOLES
11		150186-000	WASHER, PLATE 1/4" THICK, WITH (2) 13/16" HOLES
12A		140100-001	BOLT, 3/4-10 X 3 1/2"
12B		141033-000	BOLT, 3/4-10 X 3 1/2" FOR NO DROP CONNECTING LUG
13		013000-010	WASHER, SPLIT LOCK, 3/4"
14		013100-010	NUT, HEX, 3/4-10
15		014001-0932	PIN, COTTER, 3/16" X 2"
16		021000-002	FITTING, GREASE, 1/4" DRIVE
17		180207-000	KIT, T-BOLT US&S FRONT ROD

Note: See page 8.9 for complete insulation set



Plain End Front Rod



Ball End Front Rod

225312-XXX

Table A

(See dim "Z" on previous page)

SWIVEL BAR DROP DIMENSION				
X	Z	ITEM 1	ITEM 2	ITEM 5
0	2 1/2	110065-001	110066-001	110062-001
1	4 3/8	110065-002	110066-002	110062-001
2	4 3/8	110065-002	110066-002	160652-000
3	4 3/8	110065-002	110066-003	160652-000
4	4 3/8	110065-002	NR	110062-001

Table B

(See dim "Y" on previous page)

SWIVEL LUG STYLE AND DIMENSION						
XX	END STYLE	Y	ITEM 3	QTY	ITEM 4	QTY
0	PLAIN	3 1/2 to 6 1/2	110067-001	2	N/R	0
1	PLAIN	5 3/8 to 8 3/8	110067-002	2	N/R	0
10	BALL	3 1/2 to 6 1/2	110067-001	1	110069-001	1
11	BALL	5 3/8 to 8 3/8	110067-002	1	110069-002	1
22	N/R	N/A	N/R	0	N/R	0