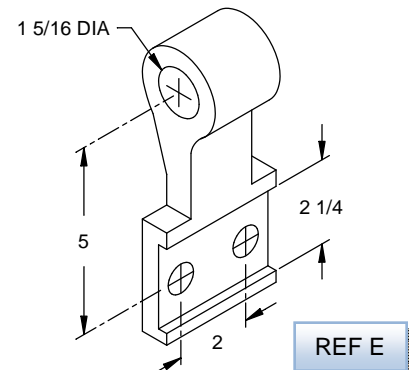
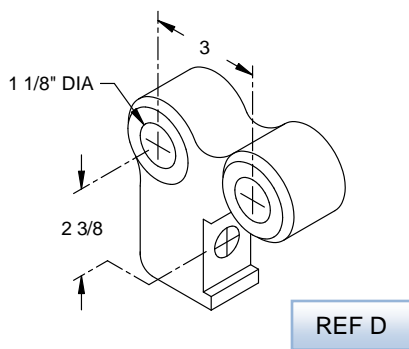
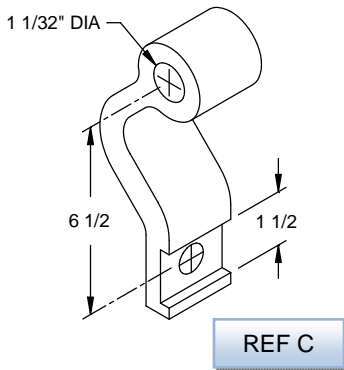
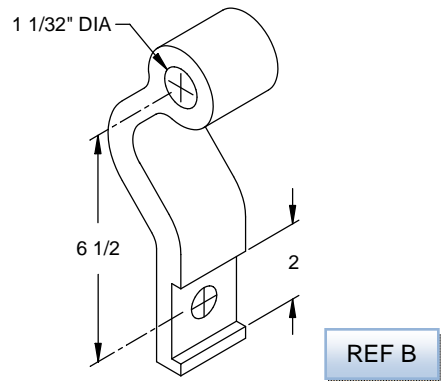
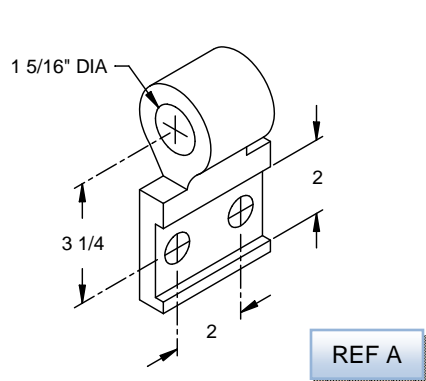


US&S

DROP LUGS



REF	J&A #	DROP	LUG TYPE	ROD DIA	LUG (ONLY)	BOLT (REF 1)
A	180010-007	3 1/4	LOCK	1 1/4	160229-000	1B
B	180010-008	6 1/2	POINT	1	160230-000	1B
C	180010-009	5 1/2	POINT	1	140484-000	1A
D	180010-010	2 3/8	LOCK	1	110015-001	1C
E	180101-011	5	LOCK	1 1/4	160282-000	1B

REF	J&A #	DESCRIPTION
1A	140100-000	SCREW, 3/4-10 X 2 1/2"
1B	140100-002	SCREW, 3/4-10 X 2 3/4"
1C	140100-004	SCREW, 3/4-10 X 4 1/2"
2	013007-010	WASHER, WROUGHT, 3/4"
3	013000-010	WASHER, SPLIT LOCK, 3/4"
4	013100-010	NUT, HEX, 3/4-10
5	014001-0924	PIN, COTTER, 3/16" X 1 1/2"

