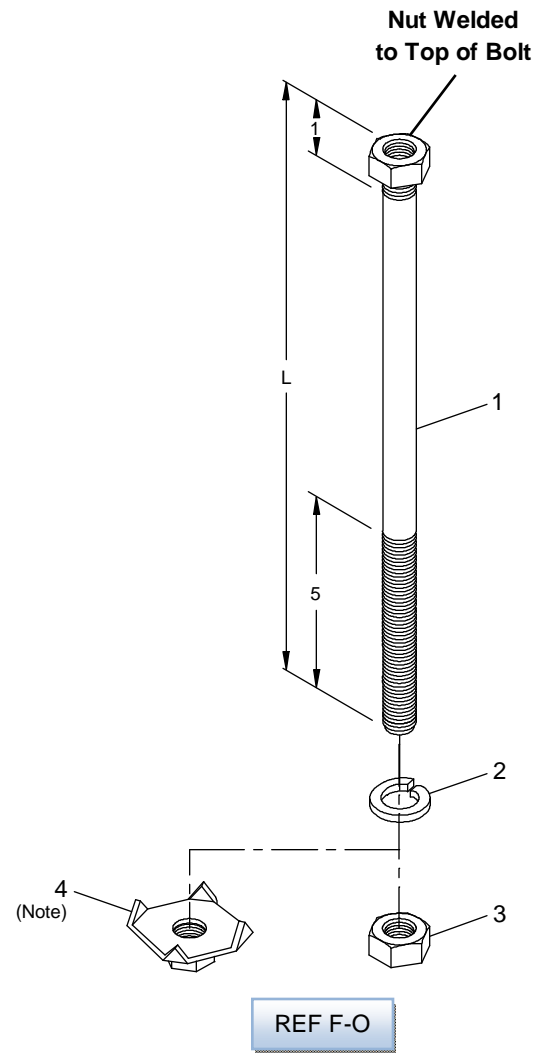
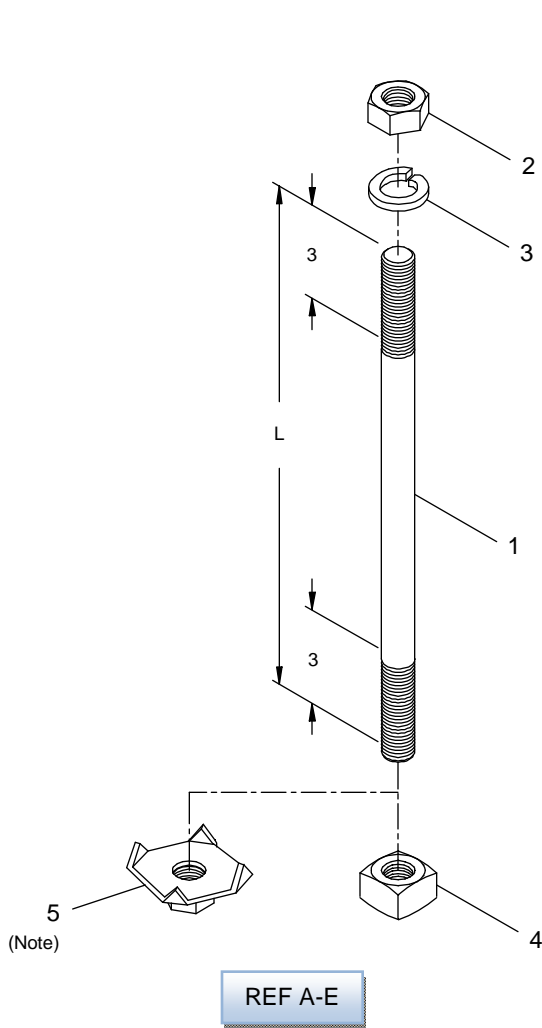


# US&S

## LAYOUT HARDWARE



REF	J&A #	DESCRIPTION	L
A	180197-000	KIT, TIE BOLT, 7/8-9	11
B	180197-001	KIT, TIE BOLT, 7/8-9	16
C	180197-002	KIT, TIE BOLT, 7/8-9	17
D	180197-003	KIT, TIE BOLT, 7/8-9	13
E	180197-004	KIT, TIE BOLT, 7/8-9	12
1A	140492-000	STUD, 7/8-9	11
1B	140492-001	STUD, 7/8-9	16
1C	140492-002	STUD, 7/8-9	17
1D	140492-003	STUD, 7/8-9	13
1E	140492-004	STUD, 7/8-9	12
2	013115-011	NUT, HEX HEAVY, 7/8-9 Z/P	
3	013000-011	WASHER, SPLIT LOCK, 7/8" Z/P	
4	013121-011	NUT, SQUARE HEAVY, 7/8-9 Z/P	
5	160216-001	NUT, GRIP, 7/8-9 Z/P	

Note: To select the grip type bolt kit add a (1) at the first of the part number suffix (-1XX). This will substitute ITEM 5 for ITEM 4

REF	J&A #	DESCRIPTION	L
F	180440-000	KIT, TIE BOLT, 7/8-9	11
G	180440-001	KIT, TIE BOLT, 7/8-9	16
H	180440-002	KIT, TIE BOLT, 7/8-9	17
J	180440-003	KIT, TIE BOLT, 7/8-9	13
K	180440-004	KIT, TIE BOLT, 7/8-9	12
L	180440-005	STUD, 7/8-9	10
M	180440-006	STUD, 7/8-9	8
N	180440-007	STUD, 7/8-9	14
O	180440-008	STUD, 7/8-9	15
1		STUD W/ WELDED NUT	
2	013000-011	WASHER, SPLIT LOCK, 7/8" Z/P	
3	013115-011	NUT, HEX HEAVY, 7/8-9 Z/P	
4	160216-001	NUT, GRIP, 7/8-9 Z/P	

Note: To select the grip type bolt kit add a (1) at the first of the part number suffix (-1XX). This will substitute ITEM 4 for ITEM 3

