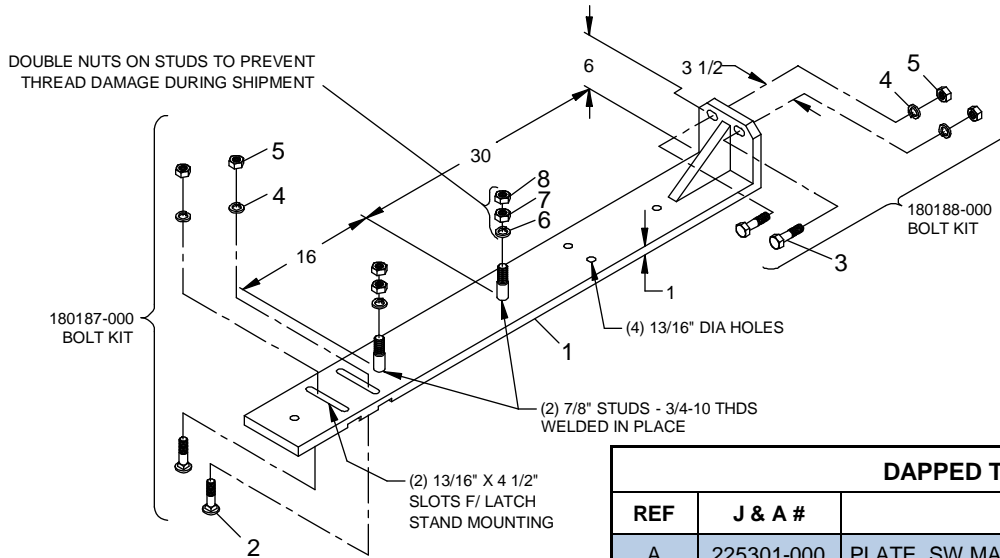
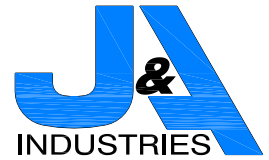


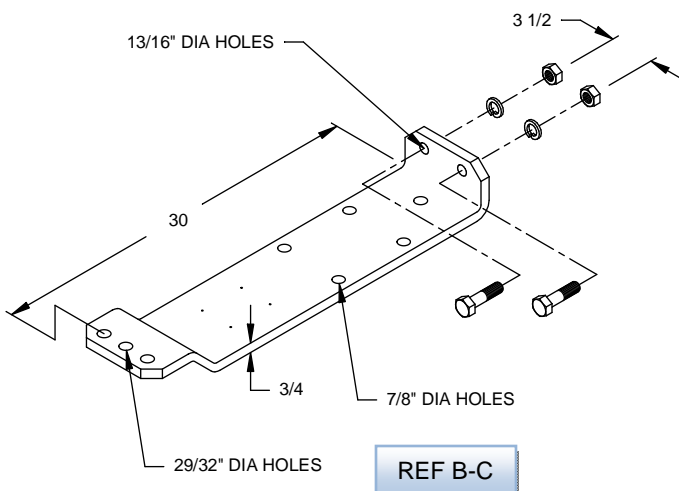
US&S

SWITCH PLATES

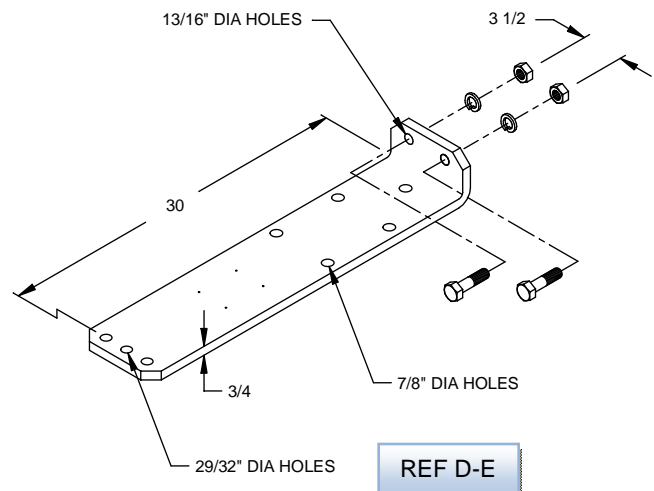


REF A

DAPPED TIE (3")		
REF	J & A #	DESCRIPTION
A	225301-000	PLATE, SW MACH, F/ US&S M 23A-B W/ HDW
1	160184-000	PLATE, SW MACH, F/ US&S M 23A-B
2	013232-640	BOLT, CARRIAGE, 3/4-10 X 2 1/2" Z/P
3	013203-648	BOLT, HEX, 3/4-10 X 3" Z/P
4	013000-010	WASHER, SPLIT LOCK, 3/4" Z/P
5	013115-010	NUT, HEX HEAVY, 3/4-10, Z/P
6	013000-011	WASHER, SPLIT LOCK, 7/8" Z/P
7	013115-011	NUT, HEX HEAVY, 7/8-9, Z/P
8	013124-011	NUT, HEX HEAVY JAM, 7/8-9, Z/P



REF B-C



REF D-E

2" OFFSET EXTENSION PLATE		
REF	J&A #	DESCRIPTION
B	225320-000	INCLUDES (4) 7/8" DIA HOLES
C	225320-001	(4) 7/8" DIA HOLES OMITTED

STRAIGHT EXTENSION PLATE		
REF	J&A #	DESCRIPTION
D	225321-000	INCLUDES (4) 7/8" DIA HOLES
E	225321-001	(4) 7/8" DIA HOLES OMITTED